



LAMP CONCEALED HINGE J95 95°Opening / 16 mm Overlay

Passed Private 40K Cycle Test



- 3-way-adjustment function by mounting plate (depth + 1.5, - 2.5 mm, vertical ± 3 mm, overlay [horizontal] + 0, - 4 mm).
- Snap on mount.

Sold Separately

- Mounting plate (P.72)
- Face plate for glass door (P.74 - 75)
- Safety cover (P.73)
- Cover for mounting plate (P.73)



SELECTION GUIDE

HES CONCEALED HINGES

Picture above is the combination of concealed hinge and mounting plate.

CONCEALED HINGES

95°Opening 16 mm Overlay Door Thickness 18 - 30 mm

DAMPER HINGES

TORQUE HINGES

GLASS HINGES

PIVOT HINGES

TABLETOP HINGES

DETENT HINGES

BUTT HINGES

LIFT-OFF HINGES

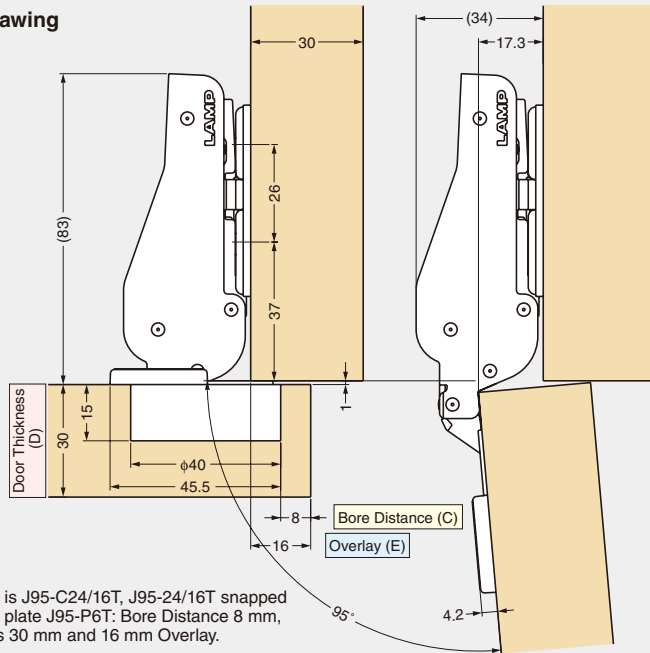
PIANO HINGES

SPRING HINGES

ANGLE HINGES

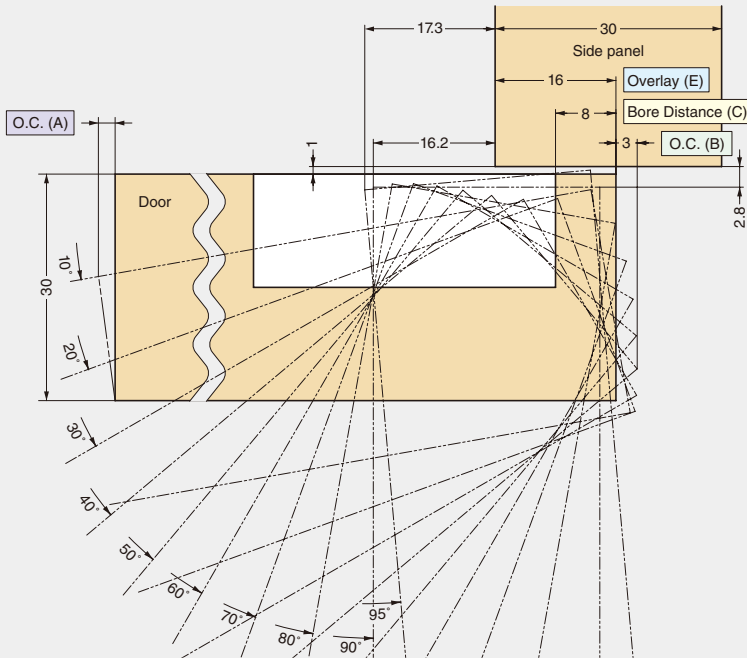
GRAVITY HINGES

• Outline drawing



Drawing above is J95-C24/16T, J95-24/16T snapped on to mounting plate J95-P6T: Bore Distance 8 mm, Door Thickness 30 mm and 16 mm Overlay.

• Locus chart



Drawing above is Bore Distance 8 mm, Door Thickness 30 mm, Side panel Thickness 30 mm and 16 mm Overlay.

Bore Distance (C)

Bore Distance (C)	3	4	5	6	7	8
Overlay (E)	11	12	13	14	15	16

Overlay adjustment (Max. -4 mm) by turning the overlay adjustment screw.

Opening Clearance (O.C.)

Clearances for door edge O.C. (A) and hinge side O.C. (B) are necessary. O.C. (A) and (B) change depending on door thickness and bore distance (C). Refer to locus chart and tables below when designing cabinets.

O.C. (B)

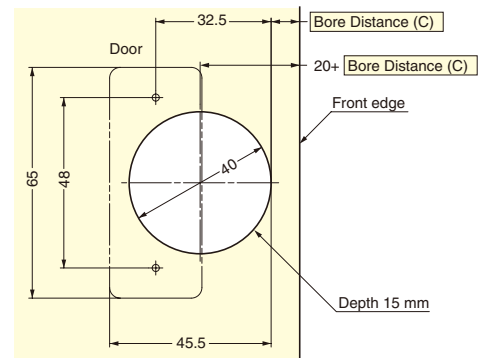
Door Thickness (D)	Bore Distance (C)					
	3	4	5	6	7	8
18	0.3	0.3	0.3	0.3	0.3	0.3
20	0.5	0.5	0.5	0.5	0.5	0.5
22	0.8	0.8	0.8	0.7	0.7	0.7
24	1.1	1.1	1.1	1.1	1.1	1.0
26	1.7	1.6	1.6	1.5	1.5	1.5
28	3.2	2.8	2.5	2.2	2.1	2.0
30	5.0	4.5	4.0	3.6	3.3	3.0
32	6.8	6.2	5.7	5.2	4.8	4.4
34	8.6	8.0	7.5	6.9	6.5	6.0
O.C. (B)						

Please refer to the locus chart if door thickness is over 30 mm.

O.C. (A)

Door Thickness (D)	Door Width						
	300	400	500	600	700	800	900
20	0.50	0.30	0.30	0.20	0.20	0.20	0.20
O.C. (A)							

Cut Out Dimensions



- Recommended screw
Size 5 raised countersunk head tapping screw or wood screw.

Door Dimensions and Number of Hinges

Please refer to P.67.

Item Code	Item Name	Type	Material	Finish	Weight	Carton
160-033-658	J95-24/16T	w/o Catch	Body/Steel, Cup/ Zinc Alloy (ZDC)	Nickel	131 g	50 pcs
160-033-657	J95-C24/16T	w/ Catch			143 g	50 pcs
160-034-920	J95-24-16T BN	w/o Catch		Black Nickel	143 g	50 pcs
160-034-917	J95-C24-16T BN	w/ Catch			155 g	50 pcs