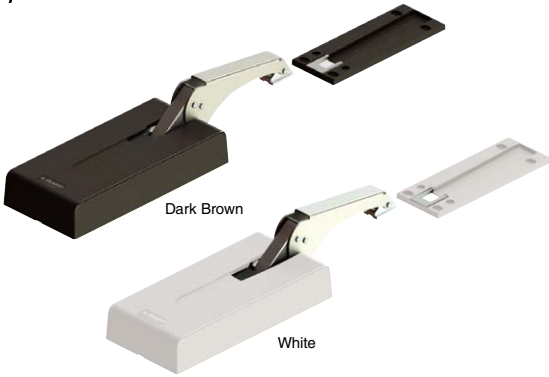


LAMP LIFT-ASSIST DAMPER (FOR HEAVY DUTY) LADH

Latest Info



Passed Private 100K Cycle Test



Opening Direction	Features	Door Material	Item Name	Maximum Door Moment
	Lift-assist	Wood	LADH-35	25 - 35 N-m/pc (254.9 - 356.9 kgf-cm/pc)
	Soft-close		LADH-50	35 - 50 N-m/pc (356.9 - 509.9 kgf-cm/pc)

- Ideal for counter flaps at bars, restaurants, and reception counters.
- Smooth and soft close movement near closing radius prevents flaps from slamming. Damper function works even if the flap is only opened slightly.
- Lift-assist mechanism with light opening.
- Stops flap at 95° opening with stopper.
- Installation position can be easily determined with the supplied template.
- Can be attached to already installed counters without extra processing.
- Can be used in pair. Max. moment of the lid will be twice as 1pc use.

INSTRUCTION SCREW

Remarks

- While open, the flap is not held firmly in position
- Make sure to have sufficient hinge strength and panel material strength at the side from which the flap is suspended (rotates).
- Do not use in combination with multi-axis hinges.
- Closed flap will not be held in place with this product alone. Please install some type of catch on the side of the flap that lifts up.
- Do not use more than 2 pcs per flap.

Remarks When Using 2 pcs

- Use the same items.
- Make sure the two stoppers contact the lid at the same time when it fully opens.
- Make sure the load is evenly distributed to the two items.
- Make sure the damper adjustment of the two items is the same.

Parts Included

- Binding head tapping screw 5.1 x 20
- Paper template



Recommended Hinge

- Stainless steel piano hinge LSN-C (P.219)

Damper Stay

Application Example



SELECTION GUIDE

DAMPER STAYS

TORQUE STAYS

LIFT-ASSIST STAYS

LID STAYS

TOP-OPENING

UPWARD-OPENING

DOWNWARD-OPENING

BOTTOM-OPENING

LIFT-UP

LIFT-DOWN

UP & OVER

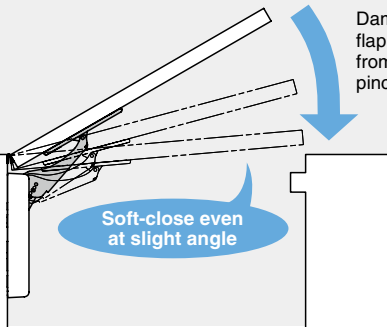
BIFOLDING

INSET RECEDING

OVER THE TOP

SWING DOOR

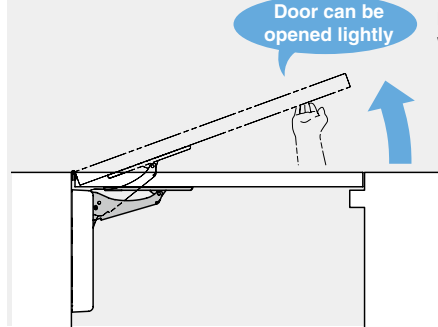
Soft-close



Damper works just before flap closes, preventing it from slamming shut and pinching fingers.

Soft-close even at slight angle

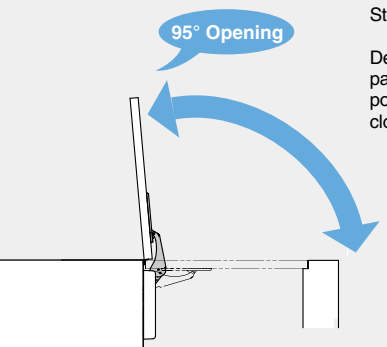
Lift-assist



Door can be opened lightly

Lift-assist mechanism with light opening.

With opening stopper

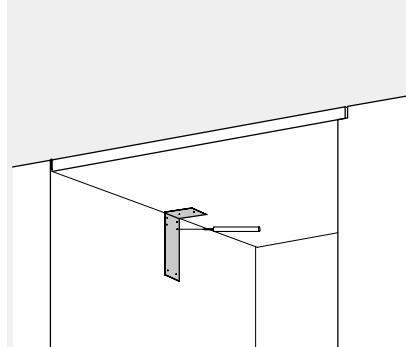


95° Opening

Stops flap at 95° opening.

Depending on the top panel shape or handle position, the panel may close under its own weight.

Easy post-installation



Can be retro-fitted to existing counters without processing. Simply by pressing against the supplied mounting template, installation position can be easily determined.