

Inner pull-out – gallery – C

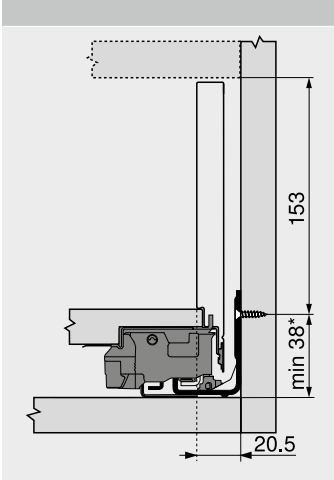


Web code – click on the code or enter it in the Product Configurator

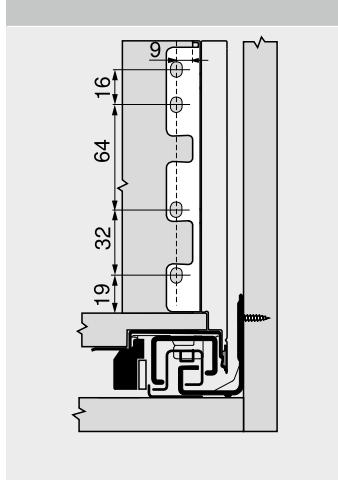
DQBTLA

Planning

Space requirement in cabinet

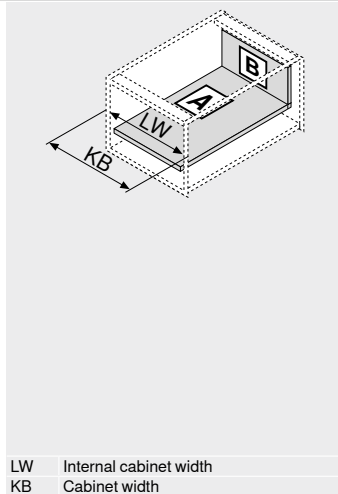
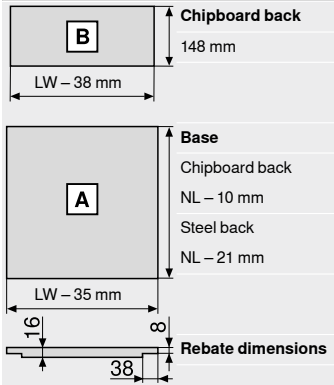


Installation dimensions – back

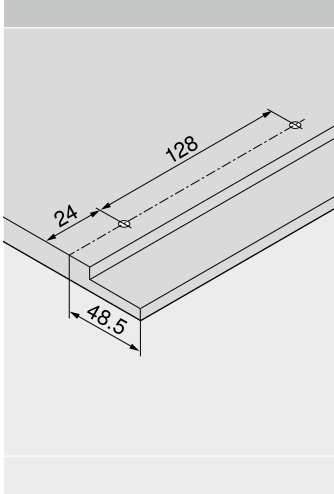


* +1 mm if cabinet profile is installed before the cabinet is assembled

Cutting – 16 mm chipboard



Drilling distances – base



LW Internal cabinet width
NL Nominal length

LW Internal cabinet width
KB Cabinet width

Reference pages

Overview myLEGRABOX	197	AMBIA-LINE for LEGRABOX MERIVOBOX	542
SERVO-DRIVE for LEGRABOX MERIVOBOX TANDEMBOX	236	CABLOXX	594
TIP-ON BLUMOTION for LEGRABOX MERIVOBOX TANDEMBOX	362	Accessories	244
TIP-ON for LEGRABOX	394	Cabinet profile fixing positions	248
		Blum services	602
		More technical details	708
	404		

Assembly, removal and adjustment

Short URL
www.blum.com/a310

