

Inner pull-out – gallery – D

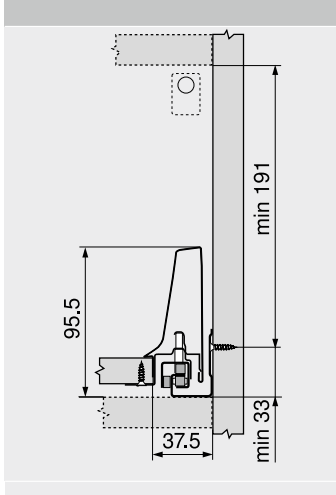


Web code – click on the code or enter it in the Product Configurator

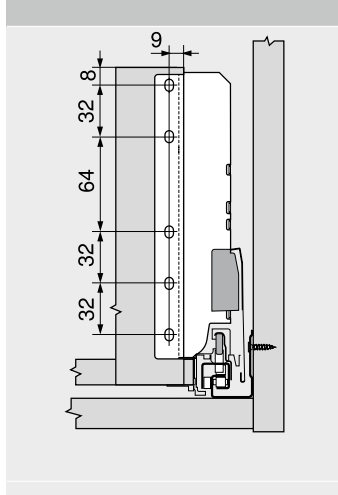
DQCB6M

Planning

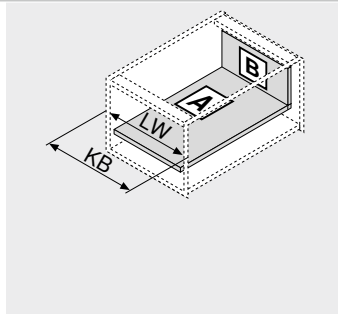
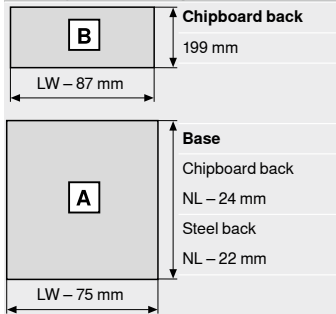
Space requirement in cabinet



Installation dimensions – back



Cutting – 16 mm chipboard



LW Internal cabinet width
NL Nominal length

LW Internal cabinet width
KB Cabinet width

Reference pages

Overview	291	Accessories	328	Assembly, removal and adjustment Short URL www.blum.com/a350
SERVO-DRIVE for LEGRABOX MERIVOBX TANDEMBOX	362	Cabinet profile fixing positions	334	
		Blum services	602	
		More technical details	708	
TIP-ON BLUMOTION for LEGRABOX MERIVOBX TANDEMBOX	394			
ORGA-LINE for TANDEMBOX	554			
CABLOXX	594			

