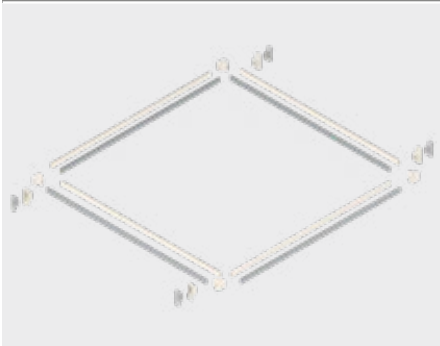


METAFILE – file drawer



- For tilt adjustment, high fronted pull-out, height B with gallery
- Cabinet width KB 275–600 mm

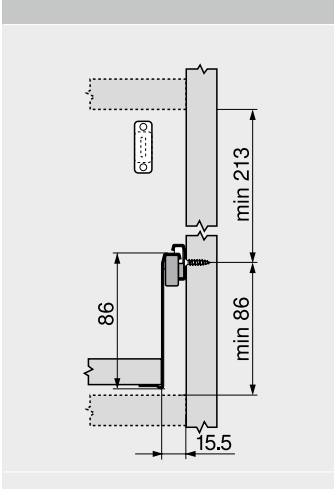
Order information

Colour	Material	Part no.
RAL 9001 cream	Nylon/steel	ZRM.5500

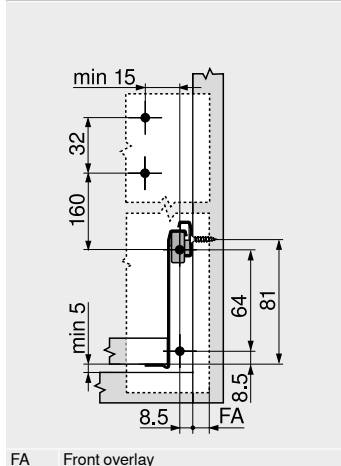
3

Planning

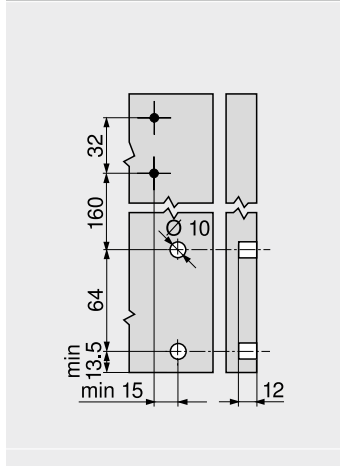
Space requirement in cabinet



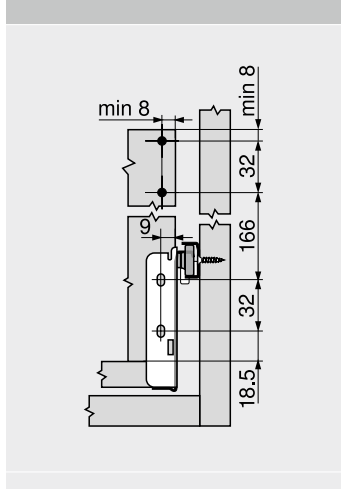
Installation dimensions – front – screw-on



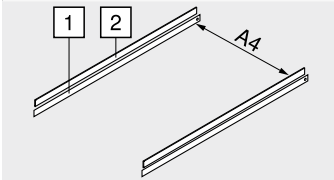
Drilling distances – front – EXPANDO | knock-in



Installation dimensions – back



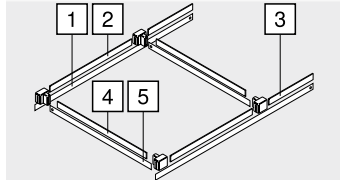
Cutting – DIN-A4 across



Internal cabinet width LW min. 376 mm

- Nominal length NL – 28 mm
- Nominal length NL – 53 mm

Cutting – DIN-A4 lengthwise



Nominal length NL min. 500 mm

- Nominal length NL – 28 mm
- 305 mm
- Nominal length NL – 406 mm
- Internal cabinet width LW – 82 mm
- Internal cabinet width LW – 59 mm

Reference pages

Overview	339	More technical details	708
High fronted pull-out – gallery – B	350		
Blum services	602		