

TIP-ON BLUMOTION for TANDEMBOX

Planning

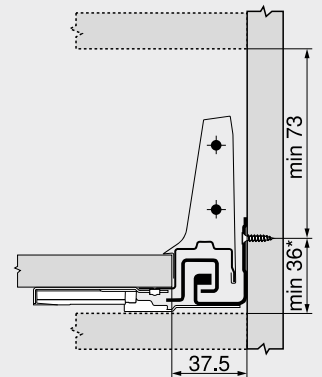
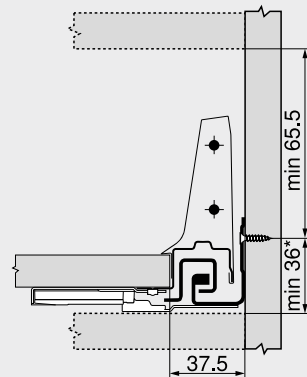
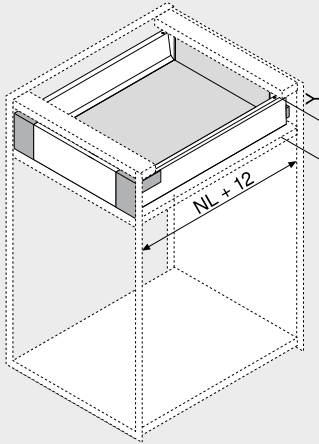
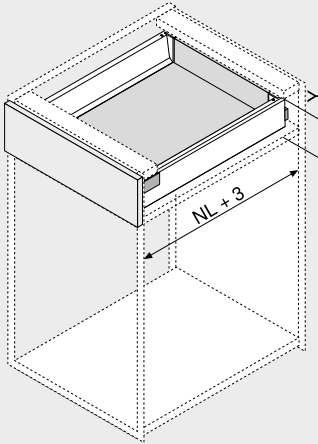
Space requirement in cabinet

Drawer | high fronted pull-out

Inner drawer | inner pull-out

Drawer | high fronted pull-out

Inner drawer | inner pull-out

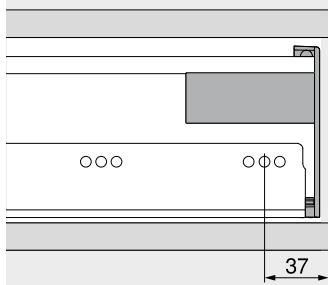
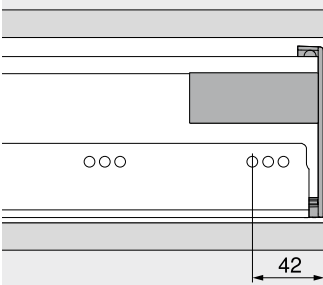


| Back height | Y (mm) |
|-------------|----------------|
| N | 85.5 |
| M | 101.5 |
| K | 133.5 |
| B | 161 |
| C | 195 |
| D | 227 |
| NL | Nominal length |

| Back height | Y (mm) |
|-------------|----------------|
| M | 109 |
| K | 139.5 |
| B | 161 |
| C | 195 |
| D | 227 |
| NL | Nominal length |

Height M
 * At 36–39 mm and with a cabinet width KB of ≥ 750 mm, a TIP-ON BLUMOTION synchronisation fixing and a base support bracket are required so as to avoid the synchronisation linkage colliding with the cabinet bottom or the cross member. In these cases a trial is recommended.

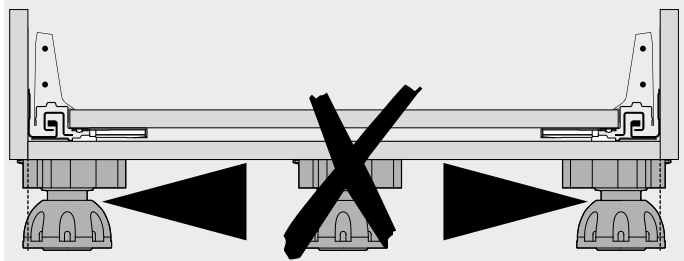
Screw position – inner drawer | inner pull-out



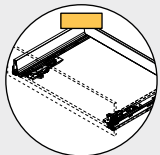
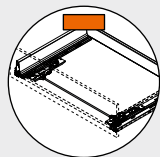
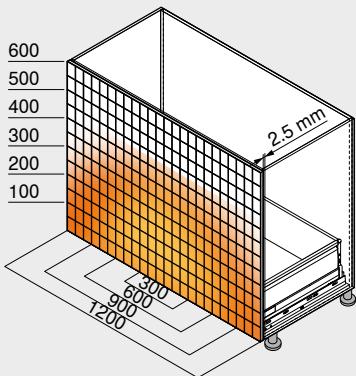
Variant 1

Variant 2

Plinth leg



Trigger range



| Trigger range | |
|----------------------------|-----|
| With synchronisation | 2.5 |
| Without synchronisation | |
| Front gap FS min. (mm) | 2.5 |
| With front/base stabiliser | |

To optimise the function and increase the trigger range, we generally recommend using synchronisation.
 Example for 578 – 30 kg | 576 – 65 kg, D height, nominal length NL 500 mm

Reference pages

| | |
|---|-----|
| Overview | 395 |
| TANDEMBOX antaro | 290 |
| TANDEMBOX plus | 394 |
| CABLOXX | 594 |
| Accessories | 328 |
| TIP-ON BLUMOTION synchronisation linkage fixing | 402 |
| Base support bracket | 402 |
| Front/base stabiliser | 403 |
| Cabinet profile fixing positions | 334 |

Blum services 602
 More technical details 708

Assembly, removal and adjustment

Short URL
www.blum.com/a370

