

Cromwell Lever Espag. Lock Set – Pewter

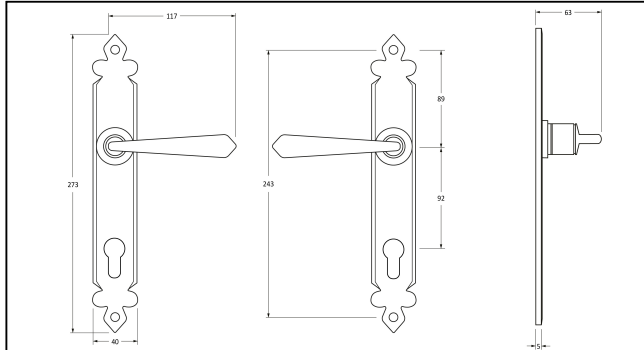
Variant code: 33068

Inspired by our Tudor range of handles, but with a sleek straight lever giving a more contemporary edge.

- Our cromwell handles are individually handforged from mild steel by our expert blacksmiths making every product unique.
- This handle is unsprung but has a stylish boss design to give both functionality & elegance.
- Lever handle for external doors where multi-point locking is required., Set includes 2 lever espag lock handles.
- Can be used with a multi-point lock or french door kit in conjunction with a euro cylinder.
- Supplied with matching SS bolt through fixings.

Property	Value
Width (mm)	40
Finish	Pewter Patina
Depth (mm)	5
Range	Cromwell
Overall Length (mm)	273
Handle Length (mm)	117

Gallery



Please Note, due to the hand crafted nature of our products all measurements are approximate and should be used as a guide only.

Product Information	Pack Contents	Fitting Screws	
Product Code: 33067 Description: Cromwell Lever Espag Lock Set Finish: Black Base Material: Mild Steel	2 x Handles 1 x Split Spindle (8mm x 110mm) 1 x Split Spindle (8mm x 140mm) 1 x Steel Bit Key 2 x Fitting Screws	Size: 90mm (Male) 16mm (Female) Type: Slotted Male & Female Screw Finish: Black Base Material: Stainless Steel	